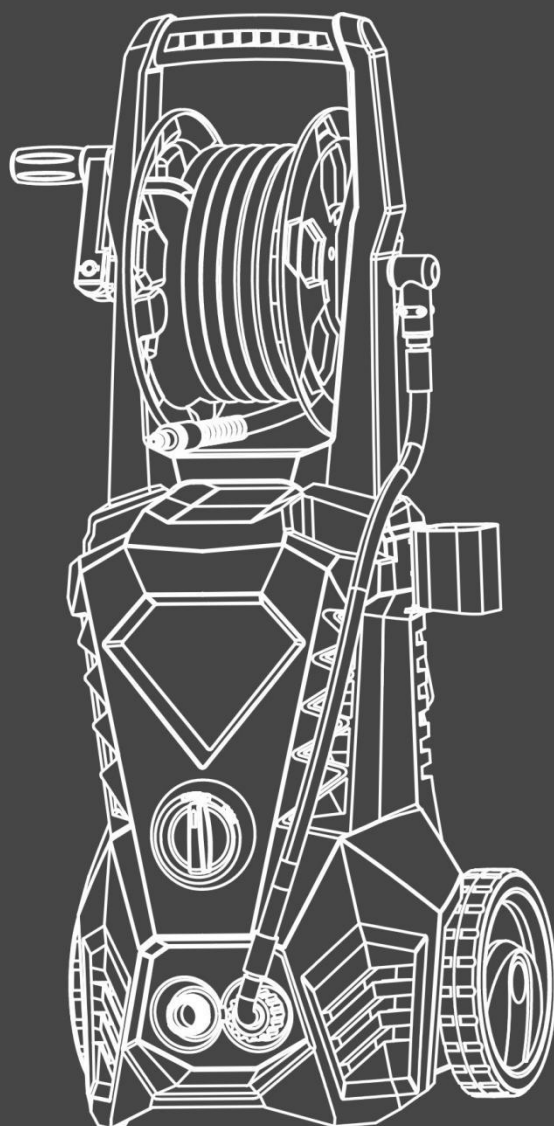


**HYUNDAI**  
POWER PRODUCTS

HIGH-PRESSURE CLEANER

HNHP2265AC

ORIGINAL INSTRUCTIONS



## **SAFETY INSTRUCTIONS**

---

- Use this unit as described in this manual. Any mishandling and any use contrary to instructions for use shall in no case be the responsibility of the manufacturer.
- Failure to observe the safety and operating instructions may result in a risk of electric shock, fire and / or personal injury.
- If you are giving this unit to another person, please also provide this manual.
- Do not use attachments other than those recommended by the manufacturer; they can damage the unit and / or cause injury.
- Machines shall not be used by children. Children should be supervised to ensure that they do not play with the appliance.
- This machine can be used by people with reduced physical, sensory or mental capabilities or lack of experience and knowledge if they have been given supervision or instruction concerning use

of the machine in a safe way and understand the hazards involved.

- If the supply cord is damaged, it must be replaced by the manufacturer, its service agent or similarly qualified persons in order to avoid a hazard.
- Before any connection, check:
  - The appliance, power cable and accessories are not damaged. In this case, do not use the appliance and take it to your dealer for inspection and repair.
  - The voltage indicated on the rating plate of the appliance corresponds to that of your electrical installation.
- Do not disassemble the device yourself. Any disassembly, repair or inspection should be carried out exclusively by a qualified person.
- Do not touch the plug with wet hands. Do not allow the plug to fall into the water.

- Do not walk on the power cord, do not exert excessive pressure, or pull on the cord to avoid damage.
- **WARNING:** This machine has been designed for use with a cleaning agent supplied or recommended by the manufacturer. Use of other cleaning or chemical agents may affect the safety of the machine.
- **WARNING:** High pressure jets can be dangerous if subject to misuse. The jet must not be directed at persons, live electrical equipment or the machine itself.
- **WARNING:** Do not use the machine within range of persons unless they wear protective clothing
- **WARNING:** Do not direct the jet against yourself or others in order to clean clothes or footwear.
- **WARNING:** Risk of explosion. Do not spray flammable liquids.

- **WARNING:** High pressure cleaners shall not be used by children or untrained personnel.
- **WARNING:** High pressure hoses, fittings and couplings are important for the safety of the machine. Use only hoses, fittings and couplings recommended by the manufacturer.
- **WARNING:** To ensure the safety of the machine, use only the original manufacturer's parts or approved by the manufacturer.
- **WARNING:** Water that has flowed through backflow preventers is considered to be non-potable.
- **WARNING:** The machine must be disconnected from the power supply during cleaning or maintenance and when replacing parts or converting the machine to other functions by removing the power source plug.

- **WARNING:** Do not use the machine if a supply cord or important parts of the machine are damaged, e.g. safety devices, high pressure hoses, trigger gun.
- **WARNING:** If an extension cord is used, the plug and cable must be watertight.
- **WARNING:** Inadequate extension cords can be dangerous. If an extension cord is used, it shall be suitable for outdoor use, and the connection has to be kept dry and off the ground. It is recommended that this is accomplished by means of a cord reel which keeps the socket at least 60 mm above the ground.
- **WARNING:** Make sure there are no exhaust emissions near the air intakes.
- Children, animals and persons not participating in the use of the machine must remain at a minimum distance of 10 meters from the sprayer.

- The high pressure hose must remain connected to the machine as long as the system is under pressure.
- Do not use corrosive or flammable liquids in the machine.
- The appliance must be connected to a water supply using a new set of hoses; the old pipe set must not be reused.
- When using the machine, wear protective equipment including safety goggles, safety shoes, safety gloves, safety helmet with visor and double-insulated hearing protection.
- In order to move the unit easily, bend the lance. Make sure the unit is turned off and unplugged before transporting the unit.
- The connection to the power supply must be made by a qualified electrician in accordance with IEC60364-1. It is recommended that the power supply of this machine includes a residual current

device that interrupts power if the earth leakage exceeds 30 mA for 30 ms or a device that will homologate the earth circuit.

- CAUTION: When activating the machine, the high pressure of the water coming out of the hose can create a kickback; Pay attention to the movement of the spear. Hold it tight.
- Before assembling, dismantling, repairing, transporting, servicing and storing, please check if the appliance is disconnected from the power supply.
- Handle the unit with care, do not drop it.
- Do not use the machine in extreme weather conditions, when it is very cold. Do not use the machine with ice water.
- Use the tool in a stable and plane location.
- The appliance must not be connected to potable water supply.



- **CAUTION:** In order to avoid danger due to untimely resetting of the thermal cut-out, this device must not be powered by an external switch, such as a timer, or connected to a circuit that is regularly switched on energized and de-energized by the electricity supplier.
- When transporting the machine, take note of its weight. Do not overestimate your efforts and get help if necessary.
- The machine must be transported from one point to another disconnected. Always use the handle to push the machine.
- Use the handle to lift the machine.
- Improper transport of the machine may result accidents and injuries.
- Do not use the tool where dangerous situations or accidents may occur. Do not use it indoor, in places where are exhausted gases, etc.

- In case of accidents or breakdowns, stop to use the tool, switch off it and unplug it. Check the conditions of the tool and bring it to a service agent for inspection and reparation if necessary.
- When opening the trigger gun, pay attention to the kickback force. The power of the gun can cause a kickback and can produce a loss of control of the gun and create accidents and injuries. Hold the gun firmly, and with both hands if possible.
- **WARNING** Always switch off the mains disconnecting switch when leaving the machine unattended.
- To avoid dangerous situations in the event of an accident (for example, contact with or spill of detergents) or equipment failure (such as a puncture or a component failure), please stop using the machine immediately. Check the problem. Have the machine inspected by a qualified

technician. In the event of an overflow, move the machine away and clean the overflow.

- During use, transport, assembly, disassembly, in case of failure, during foreseeable tests or breakdowns, the tool must always remain upright.

### **Intended use**

The high-pressure cleaner is used to clean objects and outdoor surfaces (tools, vehicles, boats, terraces, facades, garden furniture etc.) with a high-pressure water jet. It is not intended for commercial use.

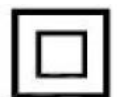
### **Symbols**



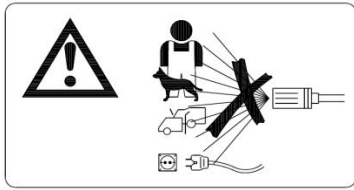
Read the instruction manual.



Complies with applicable European standards and directives.



Protection class II. This means that the device is equipped with double insulation. A plug to connect to the ground is not necessary



**WARNING!** The jet should not be directed at people, animals, live devices or the device itself.



This machine is not suitable for connection to the drinking water supply network.

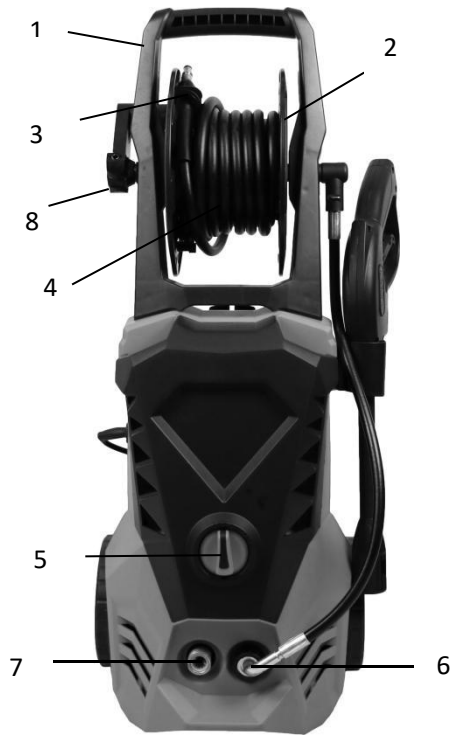


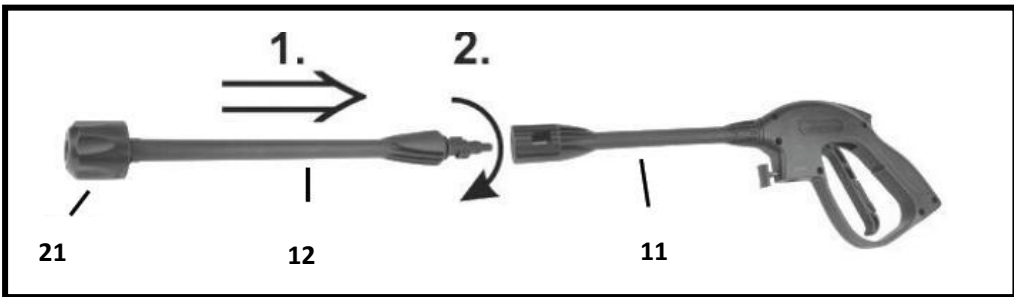
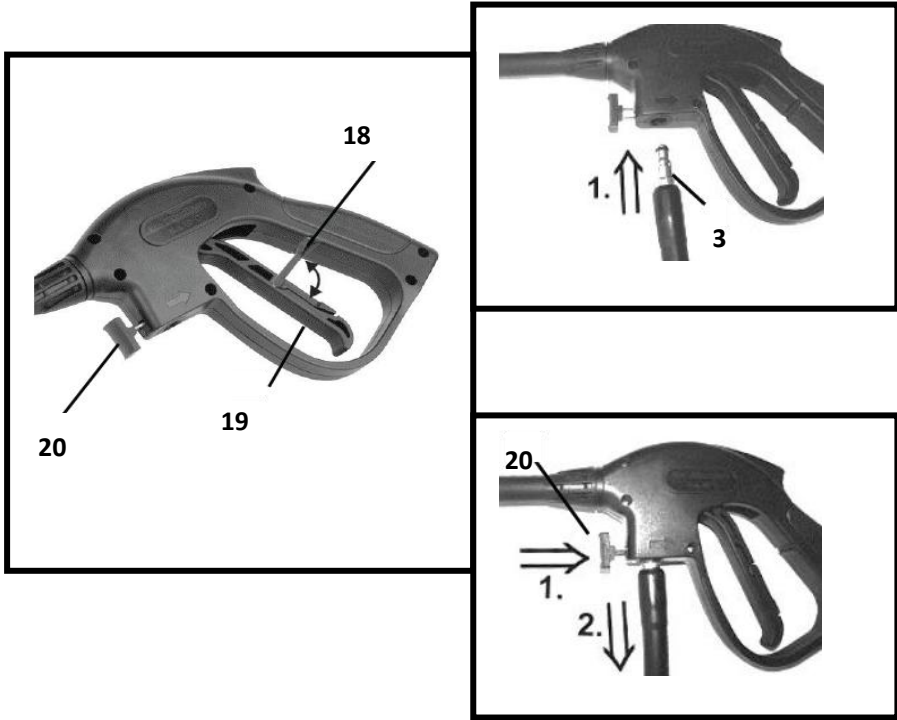
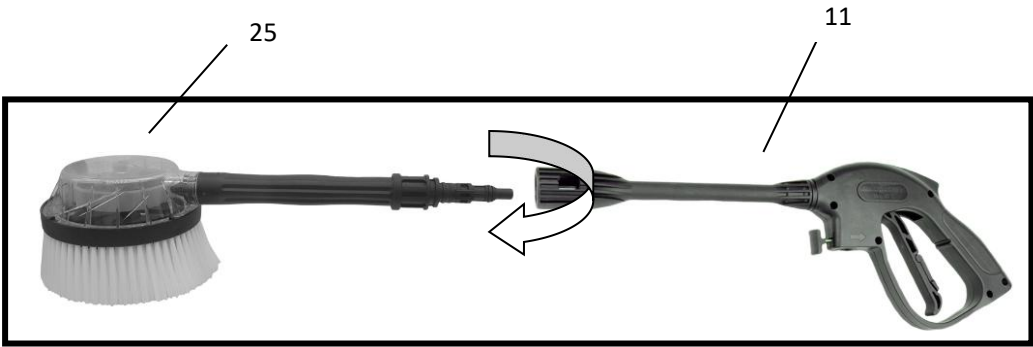
Sound power level guaranteed.

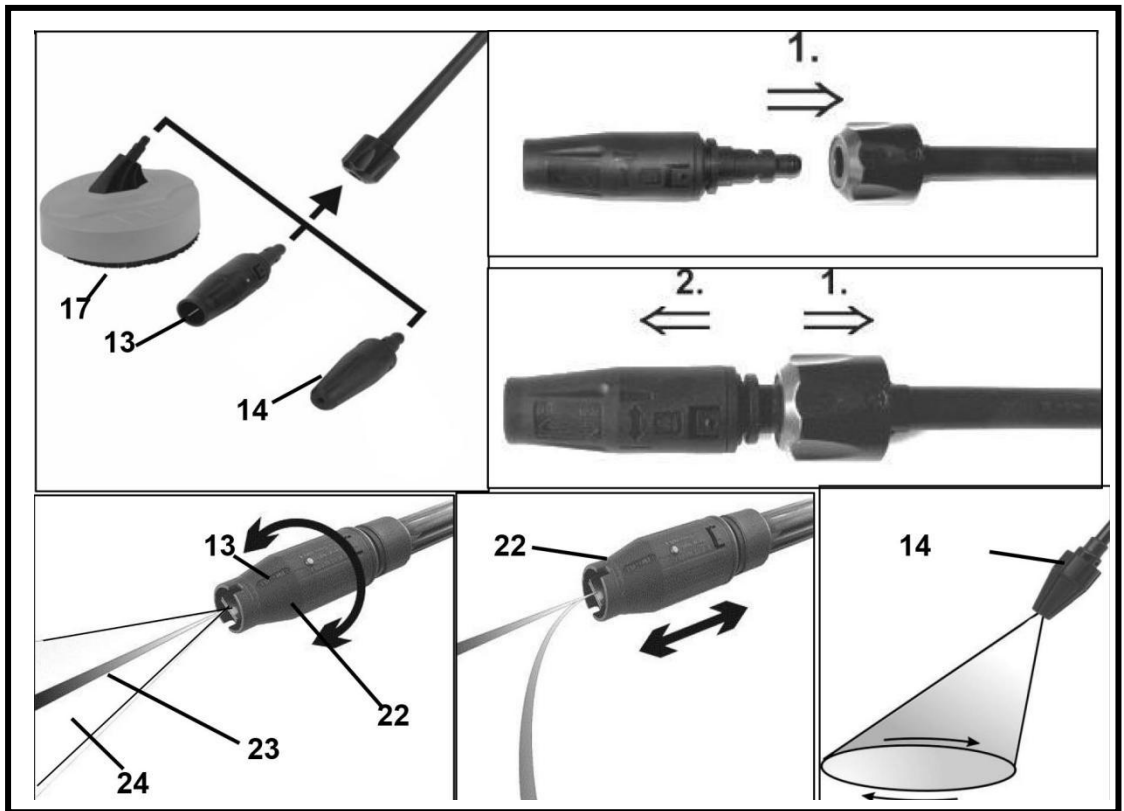


Degree of protection IPX5, this means that the device is protected against a small jet of water sprayed e.g. by a garden watering on the device.

## Description








Delivery contents	Description of the device (photo 1)
<p>1 high-pressure cleaner</p> <p>1 high-pressure hose</p> <p>1 spray gun</p> <p>1 spray tube</p> <p>1 dirt milling machine</p> <p>1 wide jet nozzle</p> <p>1 foam nozzle</p> <p>1 surfaces cleaner</p> <p>1 hose connection</p> <p>1 nozzle cleaning needle</p>	<p>1. Carrying handle</p> <p>2. Hose drum</p> <p>3. Hose connection</p> <p>4. High-pressure hose</p> <p>5. Operation switch</p> <p>6. High-pressure outlet</p> <p>7. Water supply</p> <p>8. Hand cam</p> <p>9. Power cable</p> <p>10. Detergent tank</p> <p>11. Spray gun</p> <p>12. Spray tube</p> <p>13. Multiple jet nozzle</p> <p>14. Linear jet nozzle</p> <p>15. Nozzle cleaning needle</p> <p>16. Extension</p> <p>17. Surfaces cleaner</p> <p>18. Locking system</p> <p>19. Trigger</p> <p>20. Unlocking</p> <p>21. Locking cover</p> <p>22. Tip nozzle</p> <p>23. Linear jet</p>



	24. Round jet
	25. Rotary brush

### **Technical data**

Nominal voltage	220-240 V~
Frequency	50 Hz
Nominal power	2200 W
Water flow temperature, max.	40° C
Water production, min.	6.0 l/min
Water production, max.	7.5l/min
Water production pressure, max.	0,3 MPa (3 bars)
Operating pressure, nominal.	11.0 MPa (110 bars)
Operating pressure, max.	16.5 MPa (165 bars)
Sound pressure level (Incertitude K = 3 dB)	87 dB(A)
Sound power level max. (Incertitude K = 3 dB)	93 dB(A)
Vibration of the spray gun (Incertitude K = 1,5 m/s <sup>2</sup> )	2,6 m/s <sup>2</sup>
Protection class	II / 
Degree of protection	IPX5
Weight	8.6 kg

## **Automatic stop of the engine**

This high-pressure washer is equipped with an automatic engine stop. If the trigger (19) of the spray gun is activated during operation, the motor stops automatically. By pressing the trigger (19) again, the motor restarts. During short work breaks, the trigger (19) of the spray gun (11) should be locked by the locking system (18) to prevent unintentional starting of the engine. In case of longer interruptions, the operation switch (5) should also be set to "OFF".

## **Use of detergents**

This high-pressure washer is suitable for the use of universal cleaning products, for cars, boats, home and garden, recommended by the manufacturer and approved for use with high-pressure cleaners (e.g. Kärcher, Mellerud).

The use of other cleaning products or chemicals may interfere with the safety and functionality of the appliance.

- When using cleaning products, the dosing and application instructions of the manufacturer of cleaning products should be observed.
- Do not use aggressive cleaning products.
- Consult your specialist dealer for advice on suitable cleaning products.

## **Before start-up**

- It is recommended that a current protection switch be installed by a specialist at the electrical connection of the device; this will interrupt the power supply, when the fault current exceeds 30mA for 30 ms.
- Slide the hose reel (2) into the support provided from the front, and secure it with two screws.
- Install the storage support on the right side of the machine. It will be used to install the gun later.
- Push the end of the high pressure hose (4) into the high pressure outlet (6) and screw it on. Push the other end of the high pressure hose into the gun. To remove the high pressure hose from the gun, press the release button (20) and remove the hose.
- Screw the fitting onto the water inlet (7). Push the water hose (or screw it, depending on the model) onto the fitting. Make sure that the fitting is in the

correct position. The minimum recommended length for the water supply hose is 10 meters (but not more than 25 meters) with a diameter of 12.5 mm to avoid back pressure and any risk of potential damage to your device. Make sure it can withstand water and a maximum pressure of 0.3 MPa (3 bar). If you want to connect your device to other water sources, make sure that the maximum water inlet pressure is 0.3 MPa (3 bar).

- Insert one of the nozzles (13 or 14) into the lance (11). Then push the lance into the gun (10) and turn it to the right to lock it. To remove the nozzle, pull the locking cover back towards the gun and remove the nozzle.
- Turn the water supply on. If you use the pressure washer and the water supply is closed, it will damage the pump.

### **Turning on**

Fully unwind the high-pressure hose from the hose reel (2). At the same time hold it with the transport handle (1).

- Turn the operating switch (5) to the "ON" position
- Point the spray gun (11) downwards.
- Unlock the locking device (18) of the spray gun (11) and press the trigger (19) fully.

### **Turning off**

- Release the trigger (19) and lock it with the locking system (18).
- In case of longer interruptions, the high-pressure cleaner should be switched off with the operation switch (5). ("OFF")

### **Detergent tank**

The detergent tank (10) allows adding automatically the detergent to the washing water if needed.

- Remove the cap to open the tank (10).
- Fill the tank with a maximum of 750 ml of detergent solution.
- For the preparation of the detergent solution, follow the instructions or recommendations of the manufacturer of the product used.
- Close the tank (10).
- Detergent is added by adjusting the jet nozzle and this can only be done in low pressure mode.

## **Multiple jet nozzle**

- Adding detergent is only possible in low pressure operating mode.  
Push the nozzle sleeve (22) forwards or backwards to switch the high pressure cleaner from the high pressure operating mode to the low pressure operating mode and vice versa.
- To add detergent to the washing water, push the nozzle sleeve (22) forward and bring it to the stop.
- When you trigger the spray gun, the detergent will be automatically mixed with the wash water.
- To switch to high pressure operation, pull the nozzle sleeve (22) towards the gun, until it stops.
- After switching from the low pressure operating mode to the high pressure mode, and when the detergent tank is full, detergent may still run out for a few moments.
- By turning the nozzle for the nozzle (22), you can choose between the linear jet (23) and the round jet (24).

## **Cleaning operation**

- Start possibly by cleaning the object in high-pressure operation mode to remove most of the dirt.
- Spray the detergent on the dry surface to be cleaned and let it act for a few moments (do not let it dry!).
- Rinse with a high-pressure jet to remove the dissolved dirt.

## **Linear jet nozzle**

The nozzle (14) produces a rotary linear jet. Thus, cleaning of large wall and floor surfaces is faster.

- Proceed first, as described above in the section ("Before switching on").
- Mount the nozzle (14) in the lance (11).
- By actuating the trigger (19) a rotary linear jet occurs.
- By moving the spray gun here and there, you can, for example, effectively remove algae or moss from outdoor surfaces.

## Surfaces cleaner

The surface cleaner (17) allows efficient cleaning of terraces, paths and similar large surfaces. This function provides the user with optimum splash protection. The high pressure nozzles in the cleaning housing are rotated by water pressure. The housing and tight brushes close to the edge prevent splashing.

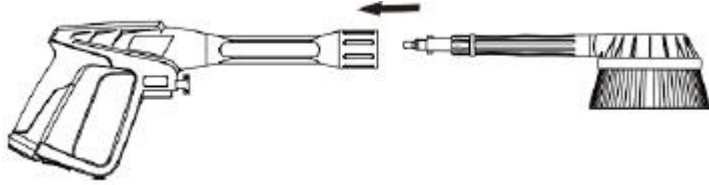
- Unscrew the support of the surface cleaner.
- Place the first part of the support on the cleaner, then the second part under the cleaner. Screw the whole.
- Insert the lance (12) into the surface cleaner. If necessary, mount the other lance (16) between the gun and the accessory.
- First, place the surface cleaner on the surface to be cleaned and turn on the high pressure cleaner, as described above. Without too much pressure, guide the surface cleaner onto the surface to be cleaned.
- **ATTENTION:** Never operate the spray gun trigger until the surface cleaner is placed on the surface to be cleaned.
- Thanks to the rotating nozzles and cleaning brushes, you can remove algae, moss and other dirt of the same type from terraces, paths and similar surfaces without splashing.

The extension (16) should only be used with the surface cleaner (17).



## Using the rotating brush

Correctly align the rotating brush with the gun. Push the brush inside the gun. Turn it counterclockwise to lock it in place. To remove it, push the accessory back, turn it clockwise, and then remove it.



### **Completing the cleaning**

- Switch off the pressure washer with the operating switch (5) and press "OFF" to unplug the plug.
- Turn off the water supply and remove the device from the water drain.
- Operate the spray gun (11) until the device is no longer pressurized.
- Lock the trigger (19) of the spray gun with the locking system (18).
- Disconnect the high-pressure hose from the gun by pressing the locking button (20) and pulling the hose downwards from the gun.
- Roll up the whole high-pressure hose onto the reel (2).
- Store the device in a safe place, temperate place out of reach of children.
- Before a long period without use and winter storage, operate the device for approx. 5 seconds without draining water and without connecting the high pressure hose. The pump is thus emptied of as much residual water as possible and the risk of damage due to the possible presence of frozen water within the device is nearly inexistent.

### **Care and Maintenance**

- Before carrying out any maintenance and repair work, disconnect the power plug.
- Clean the housing only with a dry cloth and do not use detergents that could attack the housing.
- Remove the dirt filter from the water connection (7), clean it under water and replace it.

- The supplied cleaning needle (15) is used to clean the nozzle. After each use of the pressure washer, push the cleaning needle (15) through the nozzle from the front to remove any foreign material or deposits in the nozzle.

## **Storage**

- Proceed to its cleaning and remove the hoses and accessories before storage. Check that there isn't any water in the pipes.
- Place the power cable on its hook and wrap completely the high-pressure hose.
- Store the machine, hoses and accessories together in a safe and dry place, protected from moisture and frost.

The machine should be stored in order to be out of the reach of children.

## **Elimination**



### **Used power tools and environmental protection**

- If you ever use your electrical appliance so intensively that it must be replaced or if you no longer need it, you should dispose of it at a recycling centre.
- Information on the disposal of your electrical equipment can be obtained from local waste disposal companies or your administrative centres.
- Electrical appliances contain important recyclable raw materials. By bringing your electrical appliance to a recycling centre, you contribute to the reuse of valuable raw materials.
- Electrical appliances also contain elements which, if not disposed of properly, can cause damage to people and the environment.
- The symbol representing a crossed-out waste bin means that you are obliged to take the device involved to a sorting centre for electrical and electronic equipment for its recycling.

## Warranty

We guarantee this product for 2 full years.

The warranty period for this item starts on the day of purchase. You can prove the date of purchase by sending us the original receipt.

We insure over the entire warranty period:

- Free repair of possible malfunctions.
- Free replacement of damaged parts.
- Including the free service of our specialized personnel (i.e. free assembly by our technicians)

Provided that the damage is not due to improper use of the device.

To help you with your product, we invite you to use this link or call us on +33 (0)9 70 75 30 30:

<https://services.swap-europe.com/contact>

You must create a "ticket" via their platform:

- Register or create your account
- Indicate the reference of the tool
- Choose the subject of your request
- Explain your problem
- Attach these files: Invoice or receipt, identification plate photo (serial number), photo of the part you need (e.g. broken transformer plug pins)





## CE DECLARATION

---



BUILDER SAS

ZI, 32 rue Aristide Bergès – 31270 Cugnaux - France

Declares that the machinery designated below:

HIGH-PRESSURE CLEANER

Ref.: HNHP2265AC

Serial number: 20200609763-20200610262

Complies with the provisions of the Directive "machinery" 2006/42/CE and national laws transposing it:

Also complies with the following European directives:

EMC Directive 2014/30/EU

ROHS Directive 2011/65/EU and 2015/863/EU

Directive on environmental noise emissions from equipment intended for use outside buildings 2000/14/EC

Guaranteed Sound Power Level: 93 dB(A)

Also complies with European standards, with national standards and the following technical provisions:

EN 60335-1:2012+A11:2014+A13:2017+A1:2019+A2:2019+A14:2019

EN60335-2-79:2012

EN 55014-1:2017

EN 55014-2:2015

EN 61000-3-2:2014

EN 61000-3-3:2013

Cugnaux, on 15/05/2020

Philippe MARIE / PDG

**HYUNDAI**  
POWER PRODUCTS

**For Inquiries, please contact:**

BUILDER SAS

32, rue Aristide Bergès Z1 31270 Cugnaux, France

Tél. : +33 (0) 5.34.502.502 Fax : +33 (0) 5.34.502.503

<http://www.hyundai-power-fr.com/>

Fabriqué en République Populaire de Chine (PRC)